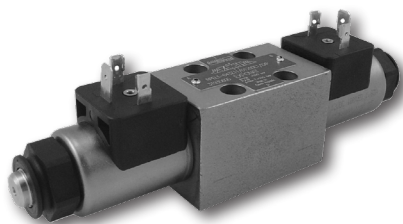


RPEL1-04

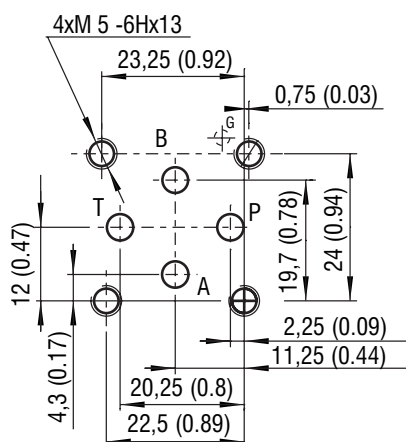
Size 04 (D02) • Q_{max} 30 l/min (8 GPM) • p_{max} 250 bar (3600 PSI)



Technical Features

- › Direct acting, directional control valve with subplate mounting surface acc. to ISO 4401, DIN 24340 (CETOP 02)
- › Compact design with reduced solenoid dimensions
- › Three chamber housing design for production cost saving
- › The valve is available with DC solenoids and a wide range of electrical terminals
- › Solenoid electrical terminal options acc. to EN 175301-803-A, AMP Junior Timer and Deutsch DT04-2P
- › Wide range of interchangeable spools and manual overrides available
- › The coil is fastened to the core tube by a retaining nut, and can be rotated by 360° to suit the available space.
- › In the standard version, the valve housing is phosphated and steel parts zinc-coated for 240 h salt spray protection acc. to ISO 9227
- › Enhanced surface protection for mobile sector available (ISO 9227, 520 h salt spray)

ISO 4401-02-01-0-05



Ports P, A, B, T - max Ø4.5 mm (0.18 in)

Technical Data

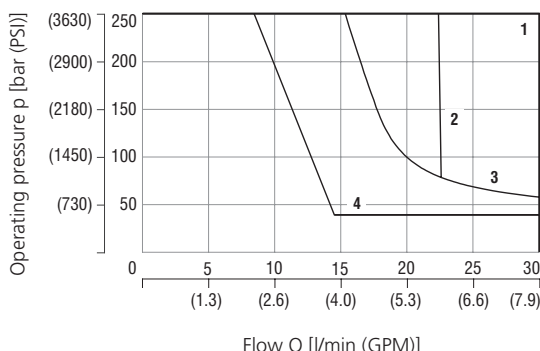
Valve size	04 (D02)		
Max. flow	l/min (GPM)	30 (8)	
Max. operating pressure at ports P, A, B	bar (PSI)	250 (3630)	
Max. operating pressure at port T	bar (PSI)	100 (1450)	
Fluid temperature range (NBR)	°C (°F)	-30 ... +80 (-22 ... +176)	
Fluid temperature range (FPM)	°C (°F)	-20 ... +80 (-4 ... +176)	
Ambient temperature range	°C (°F)	-30 ... +50 (-22 ... +122)	
Supply voltage tolerance	%	DC: ±10	
Max. switching frequency	1/h	10 000	
Switching time at v=32 mm ² /s (156 SUS)	ON	ms	DC: 30 ... 50
	OFF	ms	DC: 30 ... 50
Weight	- valve with 1 solenoid	kg (lbs)	0.75 (1.65)
	- valve with 2 solenoids	kg (lbs)	0.9 (1.98)

	Datasheet	Type
General information	GI_0060	Products and operating conditions
Coil types / connectors	C_8007 / K_8008	C 14B*/K*
Mounting interface	SMT_0019	Size 04
Spare parts	SP_8010	

Characteristics measured at v = 32 mm²/s (156 SUS)

Operating limits

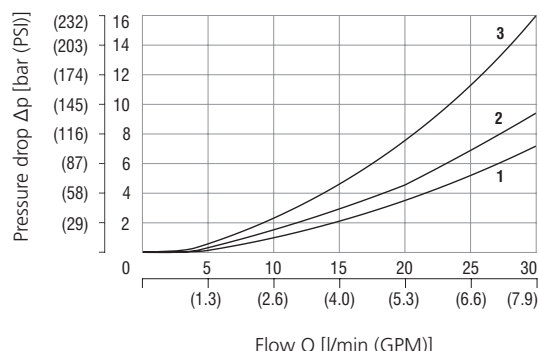
Operating limits for maximum hydraulic power at rated temperature and supply voltage equal to 90% nominal.



Spool symbol	
Z11, Z51, H11, H51	1
R11, X11	2
Y11, Y51	3
C11, C51	4

For operating limits under conditions and flow directions other than shown contact our technical support.

Pressure drop related to flow rate



Spool symbol	P-A	P-B	A-T	B-T	P-T
Z11, Y11	1	1	1	1	
R11, X11	2	2	2	2	
Z51, H51, Y51		1	1		
C11	3	3	3	3	2
C51	3			3	2
H11	1	1	1	1	2

Ordering Code

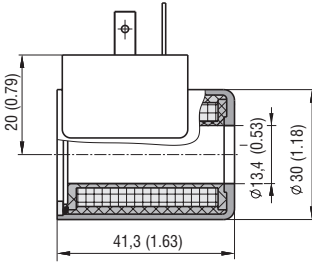
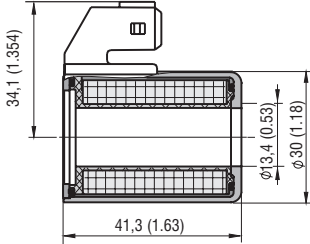
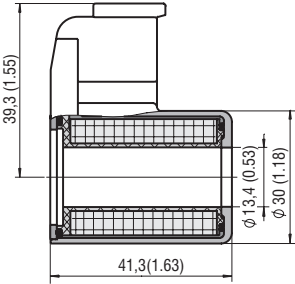
RPEL1-04 <input type="checkbox"/> <input type="checkbox"/> / <input type="checkbox"/> <input type="checkbox"/> <input type="checkbox"/> <input type="checkbox"/> - <input type="checkbox"/>			
4/2 and 4/3 directional control valve, solenoid operated, Lightline		No designation	Surface treatment standard A zinc-coated (ZnCr-3), ISO 9227 (240 h) B zinc-coated (ZnNi), ISO 9227 (520 h)
Valve size		No designation	Seals NBR FPM (Viton)
Number of valve positions two positions 2 three positions 3		No designation	Manual override standard rubber boot protected socket head screw
Spool symbols see the table "Spool Symbols"		No designation N2 N5	
Rated supply voltage of solenoids (at the coil terminal) 12 V DC / 1.83 A 24 V DC / 0.92 A	01200 02400	E1 E2 E3A E4A E12A E13A	Connector EN 175301-803-A E1 with quenching diode AMP Junior Timer - axial direction (2 pins; male) E3A with quenching diode Deutsch DT04-2P - axial direction (2 pins; male) E12A with quenching diode

- For directional valves with two solenoids, one solenoid must be de-energized before the other solenoid can be charged.
- For other solenoid voltage supply options see data sheet C_8007.
- The solenoid operated valves are delivered without connectors. For available connectors see data sheet K_8008.
- The orifice to the P port can be ordered separately, see data sheet SP_8010.
- Mounting bolts M5 x 35 DIN 912-10.9 or studs must be ordered separately. Tightening torque is 5 Nm (3.7 lbf.ft).
- Besides the commonly used valve versions shown other special models are available. Contact our technical support for their identification, feasibility and operating limits.

Spool Symbols

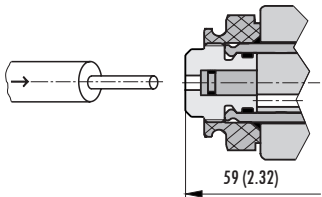
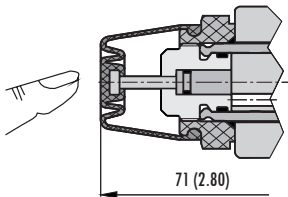
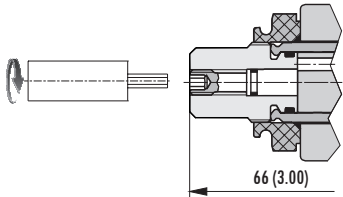
Type	Symbol	Interposition	Type	Symbol	Interposition
Z11			Z51		
C11			H51		
H11			Z11		
Y11			X11		
R11			C11		
Y51			H11		
C51			Y11		

Solenoid Coil in millimeters (inches)

<p>E1 - connector EN 175301-803-A E2 - E1 with quenching diode Protection degree IP65</p>	<p>E3A - AMP Junior Timer (2-pins; male) E4A - E3A with quenching diode Protection degree IP67</p>	<p>E12A - connector Deutsch DT04-2P (2-pins; male) E13A - E12A with quenching diode Protection degree IP67 / IP69K</p>
		

The indicated IP protection level is only achieved if the connector is properly mounted.

Manual Override in millimeters (inches)

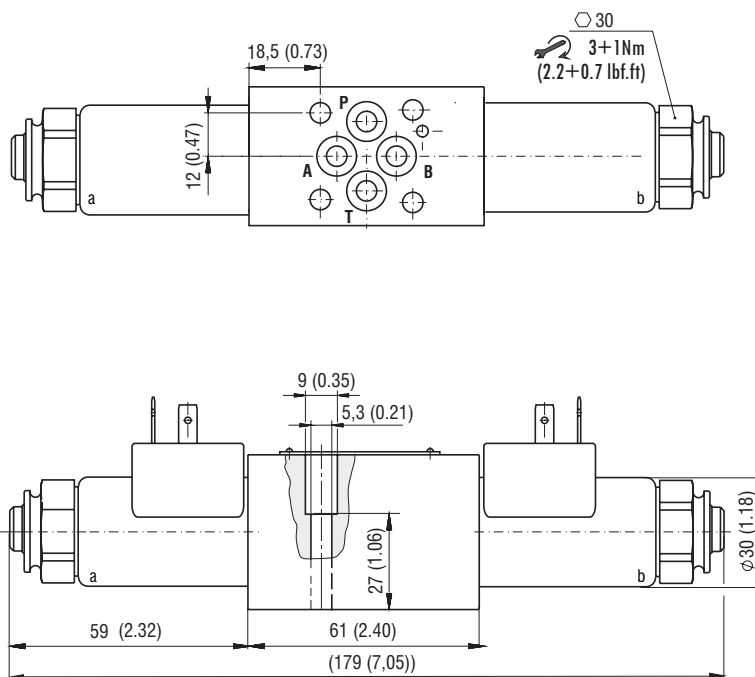
<p>No designation - standard</p>	<p>Designation N2 - protected with rubber boot</p>	<p>Designation N5 - socket head screw 3</p>
		

In case of solenoid malfunction or power failure, the spool of the valve can be shifted by manual override as long as the pressure in port T does not exceed 25 bar (363 PSI). For alternative manual overrides contact our technical support.

RPEL1-043x/xE1*

Valve with two solenoids

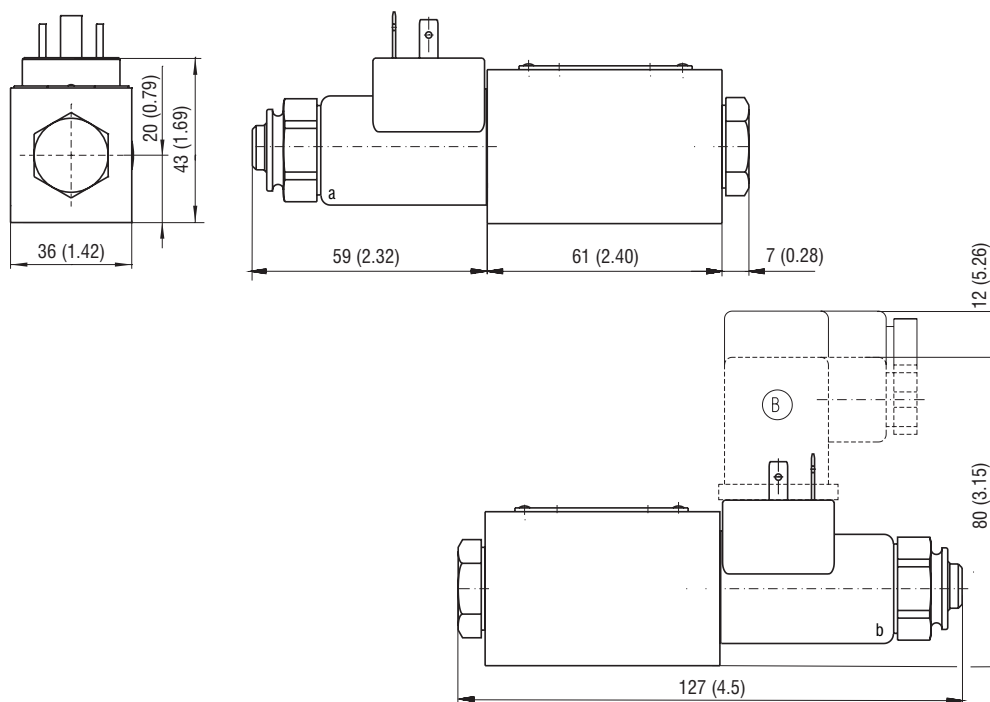
Spool symbols
Z11, C11, H11, Y11



RPEL1-042x/xE1*

Valve with one solenoid „a“

Spool symbols
R11, Y51, C51, Z51, H51



RPEL1-062x/xE1*

Valve with one solenoid „b“

Spool symbols
Z11, X11, C11, H11, Y11

Mounting screws  5 Nm (3.7 lbf.ft)
4x M5 x 35 DIN 912-10.9